

**Adder & Subtractor Trainer (MI-D04)** is a very useful learning platform for the beginners in the field of digital electronics. This kit having extremely useful components & resources to perform experiments based on addition and subtraction of binary data.

### Features

- Easy to Operate.
- On-board Logic Input Switch.
- LEDs for Visual Indications of logic data.
- Built-in DC Power Supply Source.
- All the component and circuits are fitted inside the trainer board.
- On-board points to observe output .
- Attractive ABS Plastic Cabinet.

### Technical Specifications

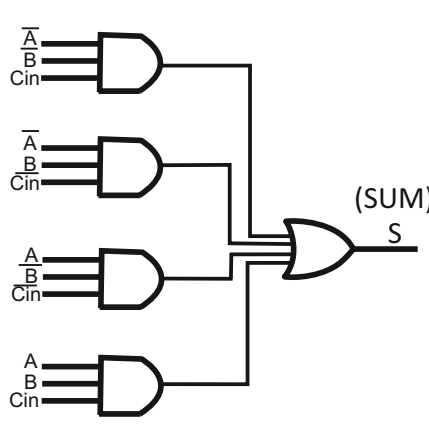
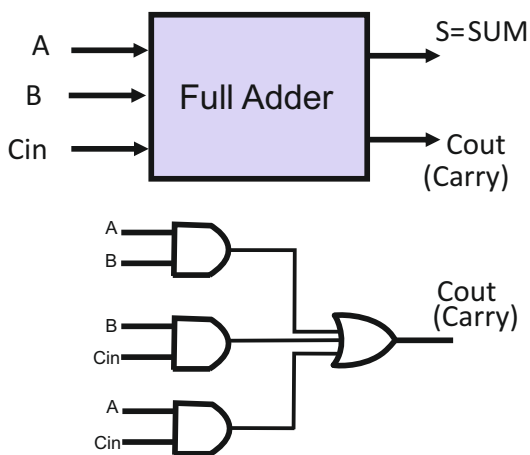
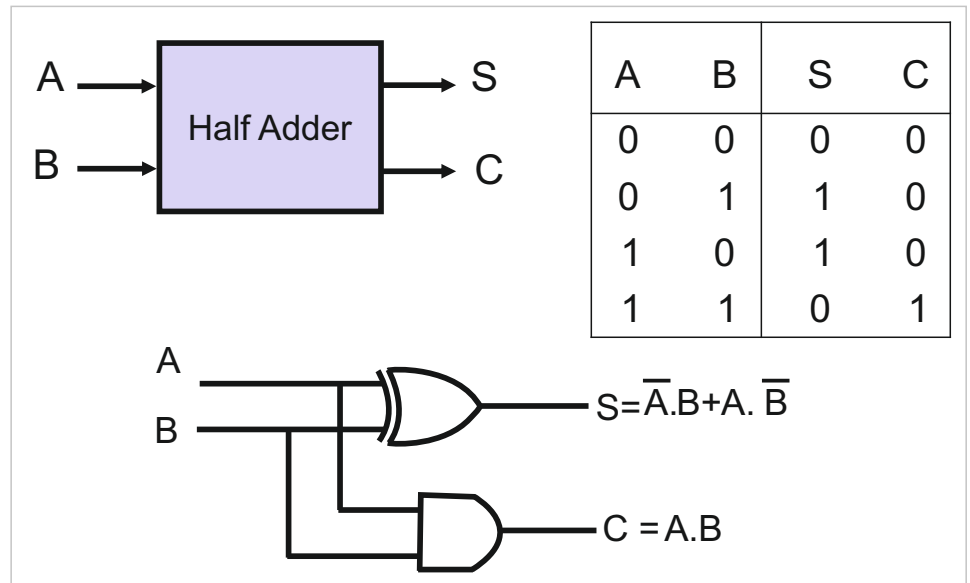
Inbuilt DC Power Supply Source	:+5V/200mA.
Short Circuit Protection	: On-board short-circuit protection for all fixed and variable DC power supplies.
On-board Logic Level Indicator	:9 independent logic level indicators for High/Low status with Bi Colour LED.
On-board Logic Input Switches	: 16 independent logic level inputs to generate high/low status with Bi Colour LED.
Logic Levels	:High (Logic 1) =+5V. Low (Logic 0) =0V.

### Electrical/Mechanical Specifications:

Power ON switch with indicator and fuse for protection.	
Input Line Voltage	:230V AC $\pm$ 10%, 50Hz
Dimensions (mm)	:340 (L) x 250 (W) x 62 (H).(Approx).
Weight	:3.5Kg. (Approx).

### Learning's

- To study of half adder
- To study of full adder
- To study of half subtractor
- To study of full subtractor
- To Study of 4-bit binary adder
- To Study of 4-bit binary subtractor
- To Study of 8-bit Binary Adder
- To Study of 8-bit binary subtractor



A	B	Cin	S=SUM	Cout (Carry)
0	0	0	0	0
0	0	1	1	0
0	1	0	1	0
0	1	1	0	1
1	0	0	1	0
1	0	1	0	1
1	1	0	0	1
1	1	1	1	1

### Package Contents



Power Cable (1no.)



Patch Cords  
(Banana to Banana)



User Manual (1no.)

## Mine Instruments Pvt. Ltd. An ISO 9001:2015 Certified Company

67-B, First Floor, Electronic Complex, Pardeshipura, Indore-452010 (M.P.) India

e-mail: [info@mineinstruments.com](mailto:info@mineinstruments.com); [sales@mineinstruments.com](mailto:sales@mineinstruments.com)

[www.mineinstruments.com](http://www.mineinstruments.com); [www.mineinstruments.in](http://www.mineinstruments.in), ☎ +91-731-4246503 📞 +91-6262603222, +91-6262603777

Regional ☎ East : +91-6262601000, West : +91-6262605000 North : +91-6262609000 South : +91-6262608000  
 Emails- east@mineinstruments.com | west@mineinstruments.com | north@mineinstruments.com | south@mineinstruments.com

